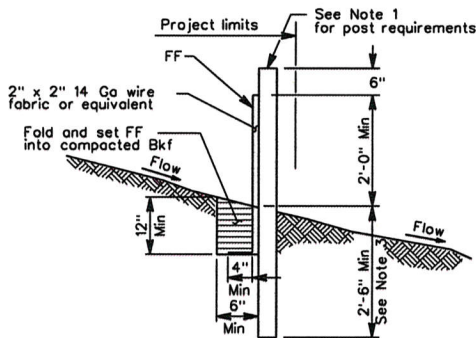
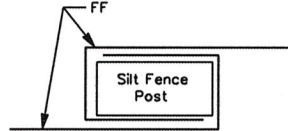


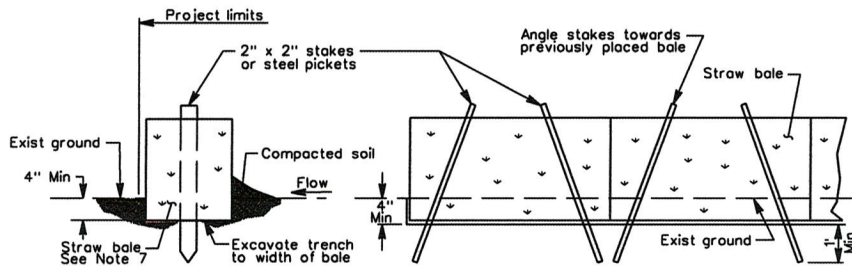
**SILT FENCE DETAIL**



**SILT FENCE SECTION**

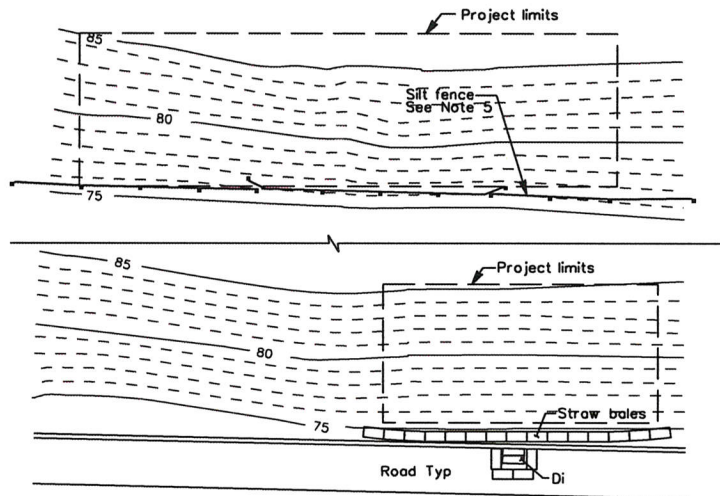


**FABRIC JOINT DETAIL**  
for silt fence fabrics

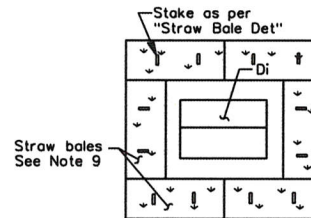


**STRAW BALE SECTION**

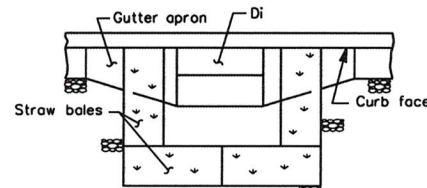
**STRAW BALE DETAIL**



**TYPICAL SITE PLAN**



**DRAINAGE INLET PROTECTION**  
Field Type C Inlet



NOTE: Det only valid when road surface is unopened in a sump condition and road is closed to traffic.

**DRAINAGE INLET PROTECTION**  
Road Type A Inlet

*Julia R. Bueren*  
**PUBLIC WORKS DIRECTOR**  
 March 11, 2014  
**PLANS APPROVAL DATE**

REGISTERED PROFESSIONAL ENGINEER  
 JULIA R. BUEREN  
 No. 37937  
 CIVIL  
 STATE OF CALIFORNIA

The County of Contra Costa or its officers or agents shall not be responsible for the accuracy or completeness of electronic copies of this plan sheet.

**NOTES:**

1. Minimum size of posts shall be 2" x 2" treated wood or steel posts with projections for fasteners ASTM Designation: A702 Class B, or approved equivalent. Do not staple fabric or wire mesh to tree in lieu of required posts.
2. Fasteners shall be 1" long heavy duty staples or hog rings.
3. Post depths are established minimums and may vary depending on site conditions.
4. When one continuous roll of filter fabric cannot be used fabric shall be spliced at post as shown in "Fabric Joint Detail" of this plan.
5. Silt fences shall be installed parallel to the contours.
6. Silt fences shall be cleaned after any rainfall or when 8" of silt has accumulated at any point along the fence.
7. All straw bales shall be staked and entrenched to a minimum depth of 4".
8. Silt fence may be installed as alternative protection and shall be installed as shown on this plan.
9. Straw bales shall be butted together. Any gaps remaining shall be filled by wedging loose straw between bales.
10. These details are not a substitute for a project specific Storm Water Pollution Prevention Plan. Additional sediment and erosion controls will most likely be required to satisfy local, State, and Federal clean water requirements and regulations.

COUNTY OF CONTRA COSTA  
 PUBLIC WORKS DEPARTMENT  
 MARTINEZ, CALIFORNIA  
 STANDARD PLAN

**SILT FENCE AND HAYBALE  
 SEDIMENT CONTROL DETAILS**

SCALE: NO SCALE DATE: 3/14  
 DRAWN BY: H.HUSSEY PLAN NO. **CD03**  
 CHECKED BY: M.HOLLINGSWORTH

NO.	DATE	REVISION DESCRIPTION	BY