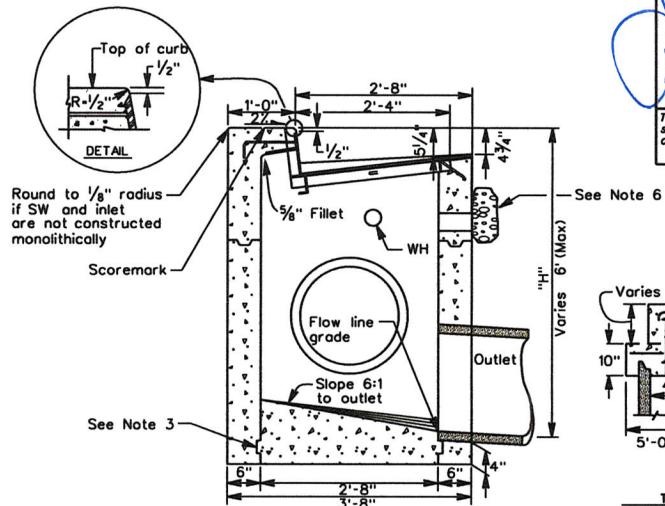


SECTION A-A
NO SCALE

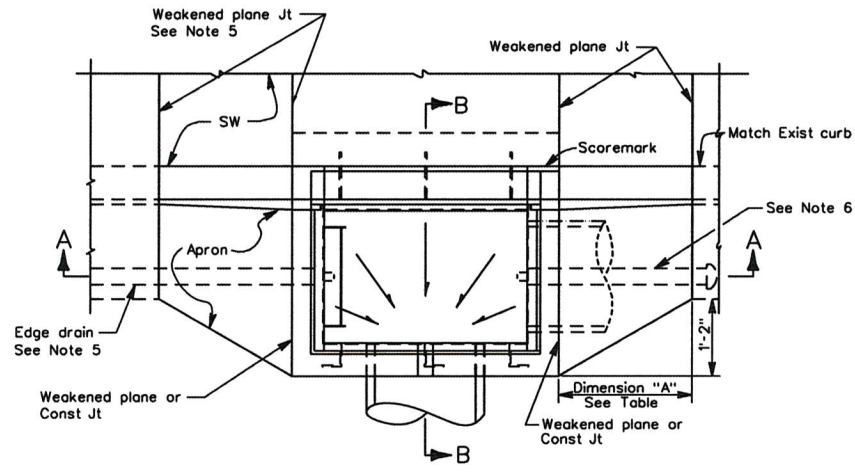
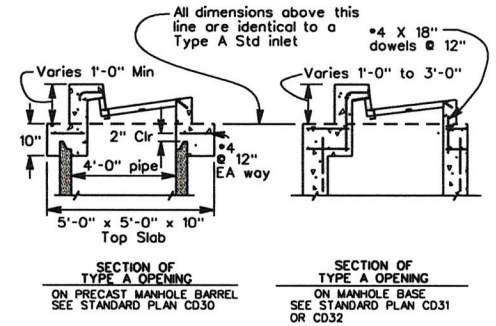


SECTION B-B
NO SCALE

Julia R. Bueren
PUBLIC WORKS DIRECTOR
March 11, 2014
PLANS APPROVAL DATE

REGISTERED PROFESSIONAL ENGINEER
JULIA R. BUEREN
No. 37937
CIVIL
STATE OF CALIFORNIA

The County of Contra Costa or its officers or agents shall not be responsible for the accuracy or completeness of electronic copies of this plan sheet.

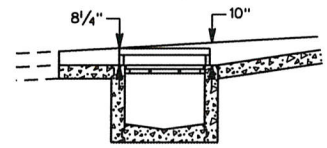


TABLE

DIMENSION "A" (in)			
UPSTREAM CURB GRADE	"A" UPSTREAM	"A" DOWNSTREAM	
2% and less	24	24	
3%	36	24	
4%	48	24	
5%	60	24	
6%	72	24	
7%	84	12	
8%	96	12	
9%	108	12	
10% and greater	120	12	

See "DETAIL FOR STEEP CURB SLOPE"

When curb grade upstream is 5% or greater, depress upstream edge of grate to 10".



DETAIL FOR STEEP CURB SLOPE

NOTES:

- Unless approved by the County Public Works Department, **no new Type A inlets are to be constructed.** Type G inlets, Standard Plan CD27, are to be used. This plan is maintained for Record purposes and reference for repairs of existing Type A inlets.
- For Inlet General Notes and Details, see Standard Plan CD35.
- Construction joints are optional where shown, other locations are subject to the approval of the Public Works Department. Key dimensions - 3/4" x 3".
- When dimension "H" exceeds 6'-0", use a manhole base with Type "A" inlet top.
- If edge drains are specified by Public Works Department or shown on the plans, see Standard Plan CD08 for edge drain (ED) details.
- See Standard Plan CD35 for weephole drainage details unless edge drain is shown on plans or as specified by Public Works Department. For edge drain details, see Standard Plan CD08.

COUNTY OF CONTRA COSTA
PUBLIC WORKS DEPARTMENT
MARTINEZ, CALIFORNIA
STANDARD PLAN

TYPE "A" INLET

(SUPERSEDED BY STD PLAN CD27, SEE NOTE 1)

SCALE: NO SCALE DATE: 3/14
DRAWN BY: H. HUSSEY PLAN NO. **CD20**
CHECKED BY: M. HOLLINGSWORTH

NO.	DATE	REVISION DESCRIPTION	BY