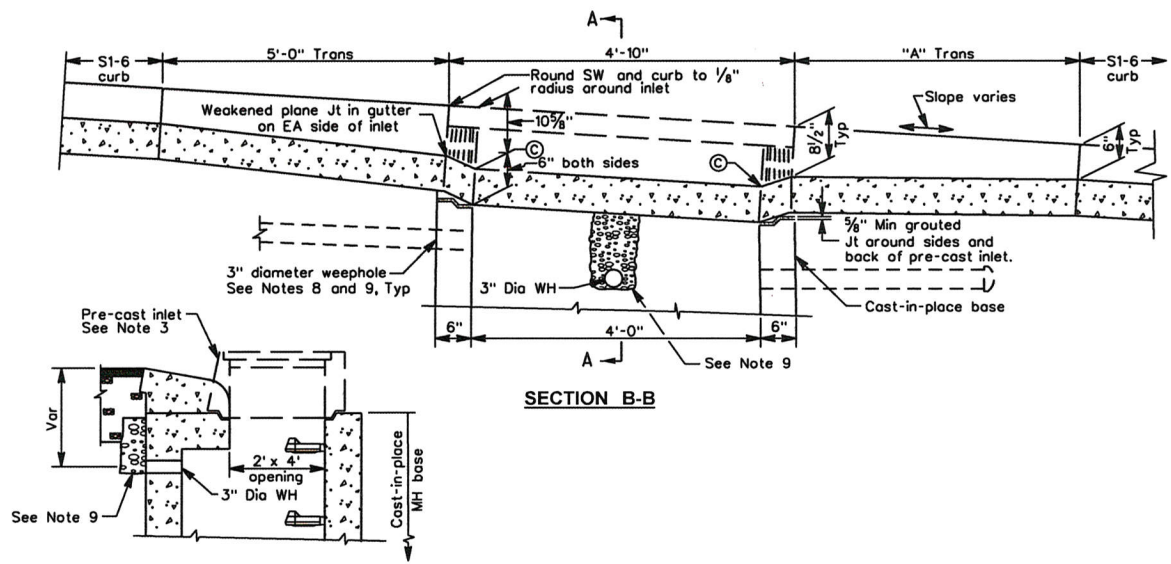


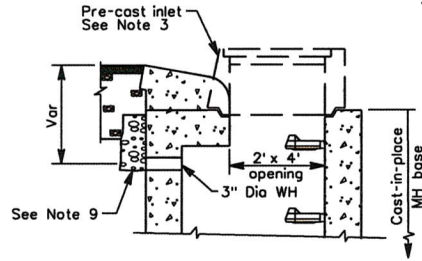
*Julia R. Bueren*  
 PUBLIC WORKS DIRECTOR  
 March 11, 2014  
 PLANS APPROVAL DATE

REGISTERED PROFESSIONAL ENGINEER  
 JULIA R. BUEREN  
 No. 37937  
 CIVIL  
 STATE OF CALIFORNIA

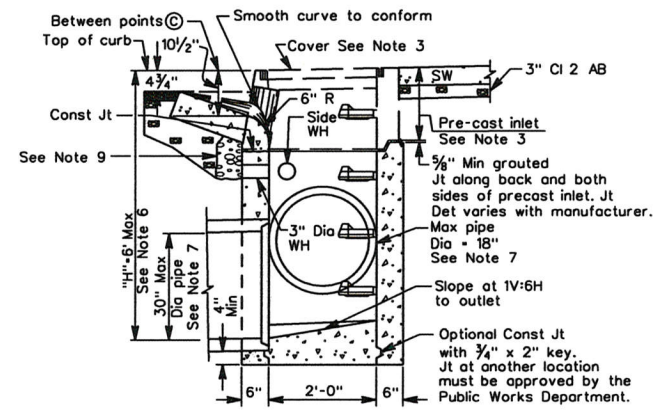
The County of Contra Costa or its officers or agents shall not be responsible for the accuracy or completeness of electronic copies of this plan sheet.



**SECTION B-B**



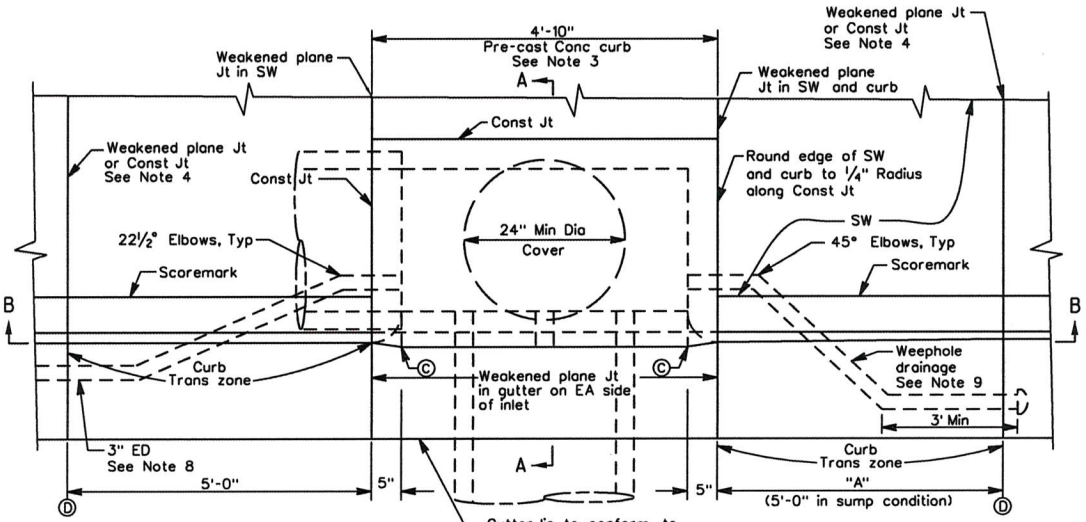
**DETAIL D**  
 PRE-CAST INLET ON TYPE II OR TYPE III MANHOLE BASE  
 See Note 6



**SECTION A-A**

**NOTES:**

- For Inlet General Notes and Details, see Standard Plan CD35.
- Type D inlet not permitted when street grade exceeds 6%. If grade exceeds 6%, use Type E inlet.
- Precast concrete curb inlet shall be Central Precast Model 4A or Christy Concrete Products Model U-37, or equivalent, as approved by the Public Works Department. See manufacturer's catalog for details of inlet and circular cover not shown on this plan. Covers shall have a pick hole for access.
- When curb and sidewalk are extruded, construction joints shall be provided at location ① as shown in plan view.
- Curb and sidewalk shall be constructed monolithically.
- If "H" exceeds 6'-0", construct precast inlet on a Type II or Type III manhole base as shown in Detail "D" on this plan. See Standard Plans CD31 and CD32 for manhole base and top slab details.
- A pipe shall not enter the inlet through a corner. If pipe exceeds maximum diameter allowed and the pipes skew angle prevents the pipe opening from being made in a single wall, construct a Type II or Type III manhole base to accept storm drain pipes.
- If edge drains are specified by Public Works Department or shown on the plans, see Standard Plan CD08 for edge drain (ED) details.
- See Standard Plan CD35 for weephole drainage details unless edge drain is shown on plans or as specified by Public Works Department. For edge drain details, see Standard Plan CD08.



**PLAN**

Sec A-A applicable between points ①-①  
 Perm Mtl at WH not shown.

<b>STREET GRADE</b>	<b>"A"</b>
1% to 3%	4'-0"
3% to 6%	2'-0"
Sump	5'-0"

COUNTY OF CONTRA COSTA  
 PUBLIC WORKS DEPARTMENT  
 MARTINEZ, CALIFORNIA  
 STANDARD PLAN

**TYPE "D" INLET**

NO.	DATE	REVISION DESCRIPTION	BY	SCALE: NO SCALE	DATE: 3/14
				DRAWN BY: H. HUSSEY	PLAN NO.
				CHECKED BY: M. HOLLINGSWORTH	<b>CD23</b>