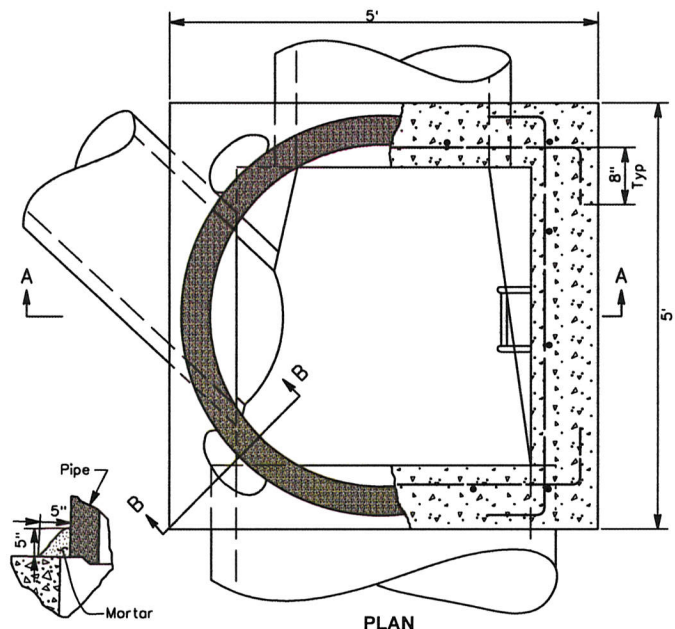


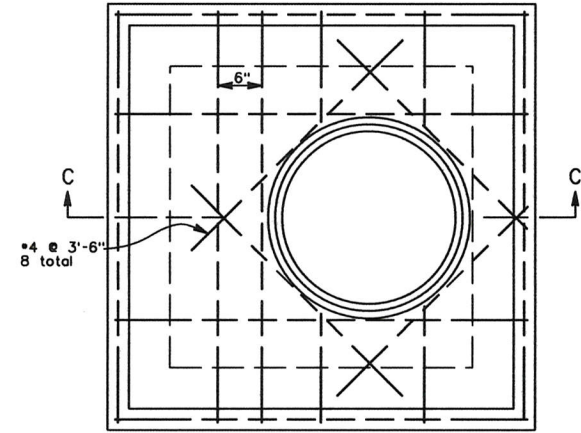
Julia R. Bueren
 PUBLIC WORKS DIRECTOR
 March 11, 2014
 PLANS APPROVAL DATE

REGISTERED PROFESSIONAL ENGINEER
 JULIA R. BUEREN
 No. 37937
 CIVIL
 STATE OF CALIFORNIA

The County of Contra Costa or its officers or agents shall not be responsible for the accuracy or completeness of electronic copies of this plan sheet.



PLAN



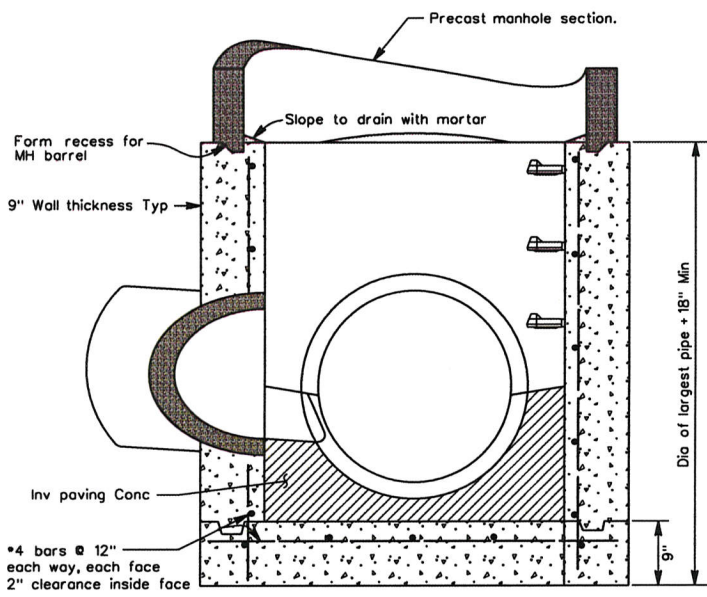
PLAN

NOTES:

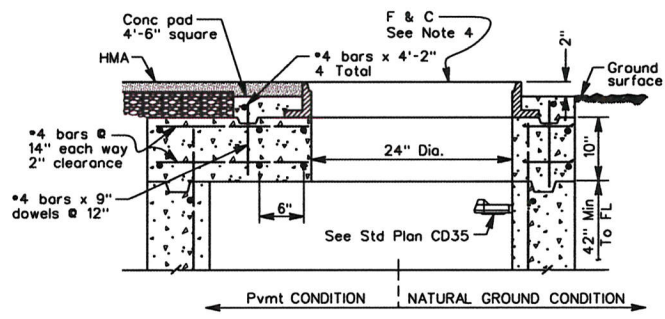
1. For Manhole General Notes and Details, see Standard Plan CD35.
2. Construction joints are optional where shown. Other locations are subject to approval by the Public Works Department. Key dimensions are 1/2" x 3".
3. Inlet and outlet pipes shall not intercept a manhole base through a corner. If skew angle is too great to permit the opening to be made in a single wall use a Type III manhole base. (See Std Plan CD32).
4. For details of manhole frame and cover, See Standard Plan CD30. Orient frame directly above steps.

42

SECTION B-B



SECTION A-A



**SECTION C-C
TOP SLAB**

USE TOP SLAB:

1. When there is insufficient depth between the top of the manhole base and finish grade for precast manhole eccentric cone section per Standard Plan CD30.
2. When placing a Type G or Type J inlet opening on a Type II manhole base. The opening in the slab shall conform to the inside dimensions of the inlet to be used.

NO.	DATE	REVISION	DESCRIPTION	BY

COUNTY OF CONTRA COSTA
 PUBLIC WORKS DEPARTMENT
 MARTINEZ, CALIFORNIA
 STANDARD PLAN

**TYPE II
MANHOLE BASE**

SCALE: NO SCALE DATE: 3/14
 DRAWN BY: H. HUSSEY PLAN NO. **CD31**
 CHECKED BY: M. HOLLINGSWORTH

STD. PLAN CD31