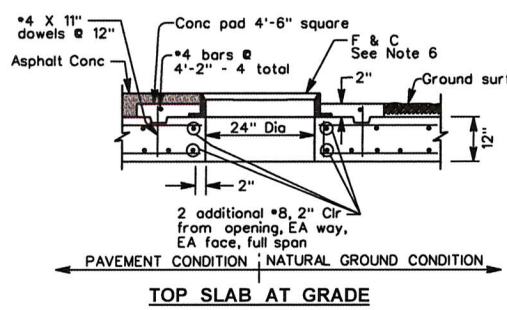
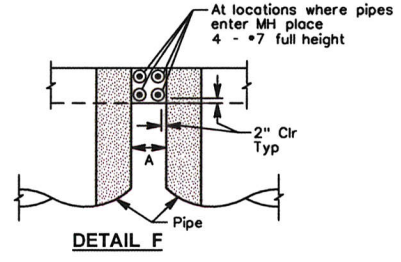
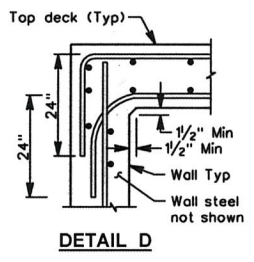
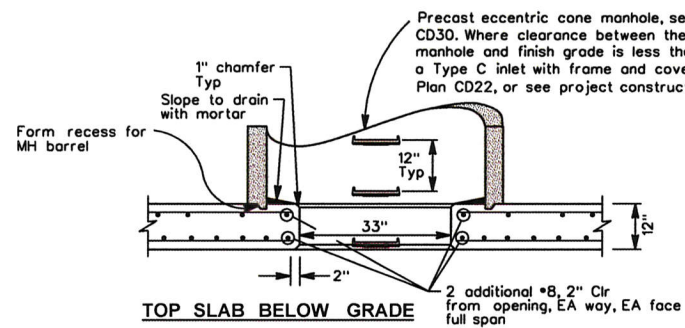
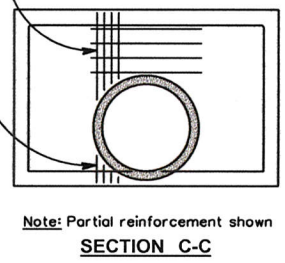
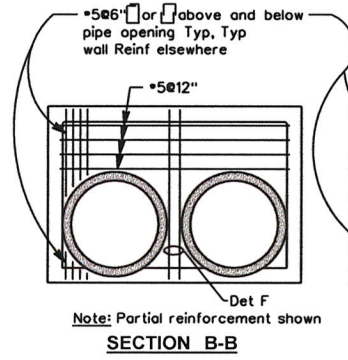
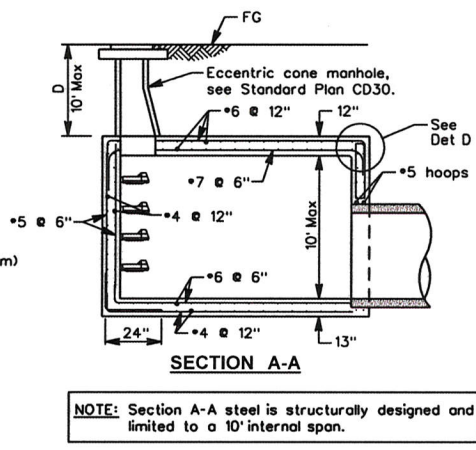
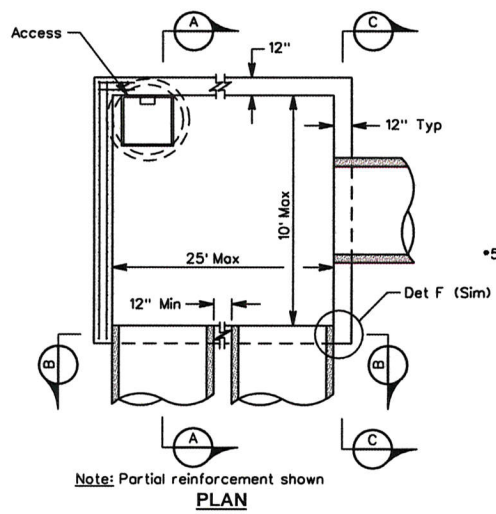


Julia R. Bueren
 PUBLIC WORKS DIRECTOR
 March 11, 2014
 PLANS APPROVAL DATE
 RECEIVED PROFESSIONAL ENGINEER
 JULIA R. BUEREN
 No. 37937
 CIVIL
 STATE OF CALIFORNIA

The County of Contra Costa or its officers or agents shall not be responsible for the accuracy or completeness of electronic copies of this plan sheet.



NOTES:

- For Manhole General Notes and Details, see Standard Plan CD35.
- Soil parameters used for design are limited to the following:
 Active equivalent fluid pressure of 45 lbs./ft³ up to a saturated condition of 62 lbs./ft³.
 Passive equivalent fluid pressure of 300 lbs./ft³.
 Structures to be constructed in soils not exhibiting these characteristics shall be designed by a licensed professional engineer under consultation with a licensed geotechnical engineer.
- Minimum Strength: Steel: f_y = 60000 psi
 PCC: f_c = 3000 psi
- Reinforcing steel placement shall be as directed in American Concrete Institute, Building Code and Commentary 318-11.
- Inlet and outlet pipes shall not intercept a manhole base through a corner. If skew angle is too great to permit the opening to be made through a single wall a special design will be required.
- For details of manhole frame and cover, see Standard Plan CD30.

COUNTY OF CONTRA COSTA
 PUBLIC WORKS DEPARTMENT
 MARTINEZ, CALIFORNIA
 STANDARD PLAN

TYPE V MANHOLE BASE

NO.	DATE	REVISION DESCRIPTION	BY

SCALE: NO SCALE DATE: 3/14
 DRAWN BY: P. WARDEN PLAN NO. **CD34**
 CHECKED BY: M. HOLLINGSWORTH